



Page 698  
**Professional Screw Clamp**



Page 700  
**Professional Screw Clamp 45°/90°**



Page 702  
**Professional Fast Tension Clamp**



Page 704  
**Screw Clamp with Round Pipe**



Page 706  
**Pipe Clamp Universal**



Page 708  
**Basic Screw Clamp**



Page 709  
**Short Arbor with Bushing and Prism**



Page 710  
**Prism for Screw Clamps**



Page 710  
**Prism for Screw Clamps**



Page 710  
**Prism for Screw Clamps**



Page 711  
**Duo Prism Ø 25**



Page 711  
**Duo Prism Ø 25**



Page 711  
**Duo Prism Ø 25**



Page 712  
**Pressure Ball for Screw Clamps**



Page 712  
**Pressure Ball for Screw Clamps**



Page 712  
**Pressure Ball for Screw Clamps**



Page 712  
**Pressure Ball Blank for Screw Clamps**



## Clamps & Accessories

You can also find the product video on:

[www.siegmund.com/V160610](http://www.siegmund.com/V160610)



160617



160662



160643  
150 mm



160637  
100 mm



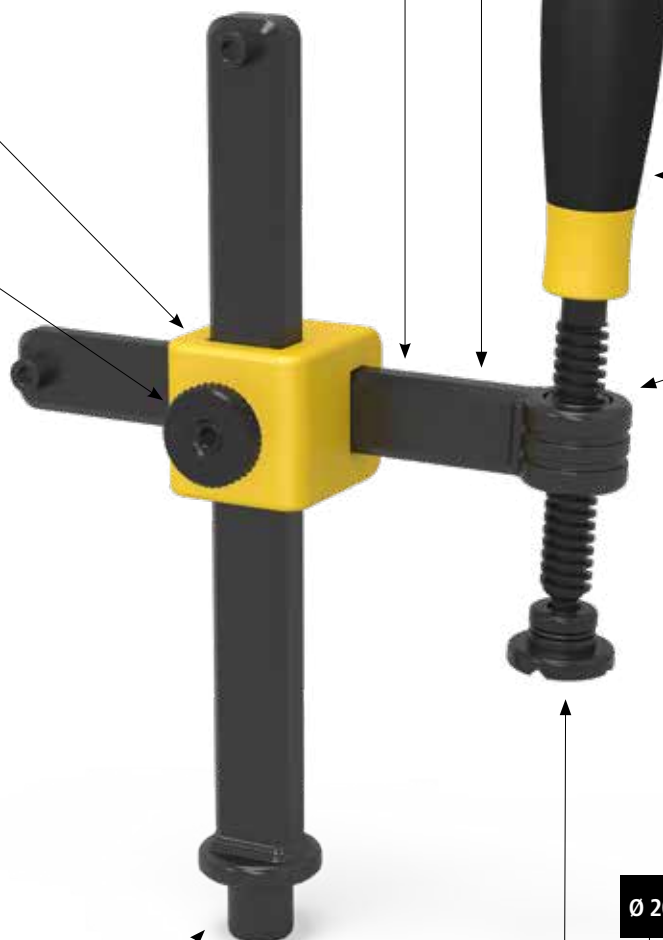
160634.1  
90 mm



160634.3  
75 mm



160618.1



160632  
200 mm



Ø 20			
	160660 Burnished / nitrided	160660.E Stainless Steel	160660.PA Polyamide
Ø 25	160650 Burnished / nitrided	160650.A Aluminum	160650.PA Polyamide
	160656 Burnished / nitrided	160656.E Stainless Steel	160656.PA Polyamide

**160617.4**

**160643**  
150 mm

**160634.1**  
90 mm

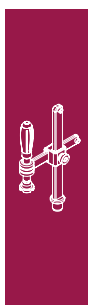
**160634.3**  
75 mm

**160618.1**

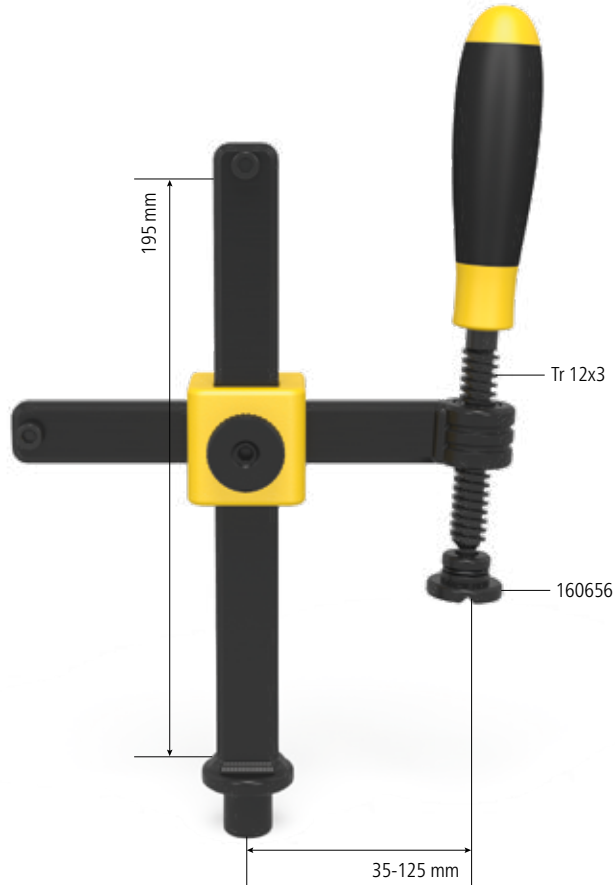
**160653**

**160642**  
200 mm

<b>Ø 20</b>	<b>160660</b> Burnished / nitrided	<b>160660.E</b> Stainless Steel	<b>160660.PA</b> Polyamide
<b>Ø 25</b>	<b>160650</b> Burnished / nitrided	<b>160650.A</b> Aluminum	<b>160650.PA</b> Polyamide
<b>Ø 25</b>	<b>160656</b> Burnished / nitrided	<b>160656.E</b> Stainless Steel	<b>160656.PA</b> Polyamide



## Professional Screw Clamp



### Description:

Professional Screw Clamp, enables fast, powerful and exact clamping with a variety of welding elements. Achieve maximum efficiency through time-saving, quick adjustments and effortless disassembly. For individual modification, we offer special lengths of horizontal and vertical bars. The dimensions of the horizontal bar are 20x10 mm. The dimensions of the vertical bar are 20x13 mm, which is additionally reinforced.

To safely fasten every kind of welding element, the prisms are interchangeable. For suitable prisms, see page 710.

A long lifetime and efficiency is guaranteed by the burnished material, as well as the option to order spare parts individually.

With the new handwheel on the cast iron cross, the height can be adjusted within seconds.



160610



160610.S

Standard model	maximum load:	Weight:	Item No.
Professional Screw Clamp	2,5 kN	1,20 kg	2-160610 ●
Professional Screw Clamp special size			2-160610.S ○

● = Item produced for stock; ○ = Item produced on order; Explanations see page 84

Standard model 160610:  
consisting of 1x 160634.3, 1x 160643, 1x 160632, 1x 160618.1, 1x 160617, 1x 160662, 1x 160656

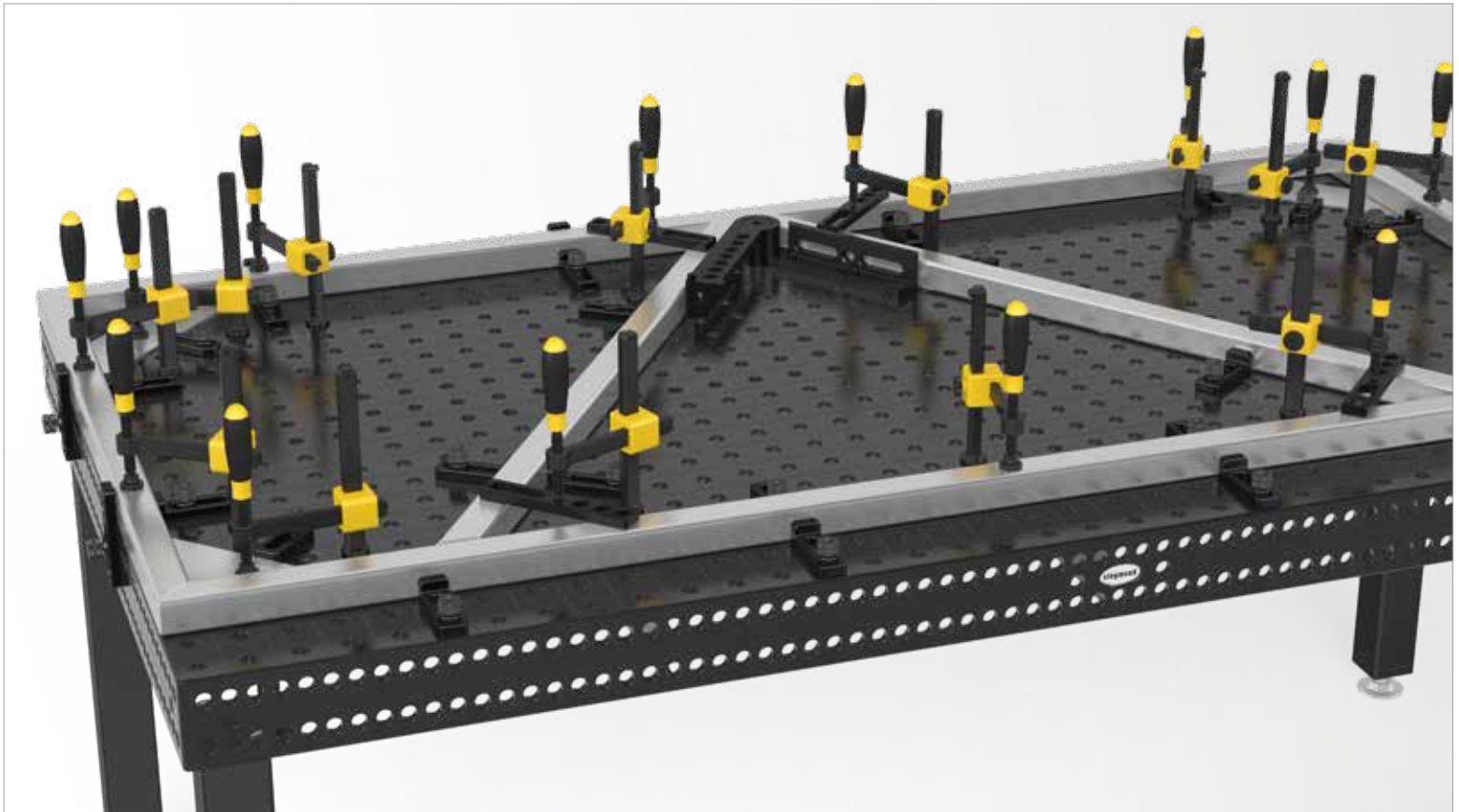




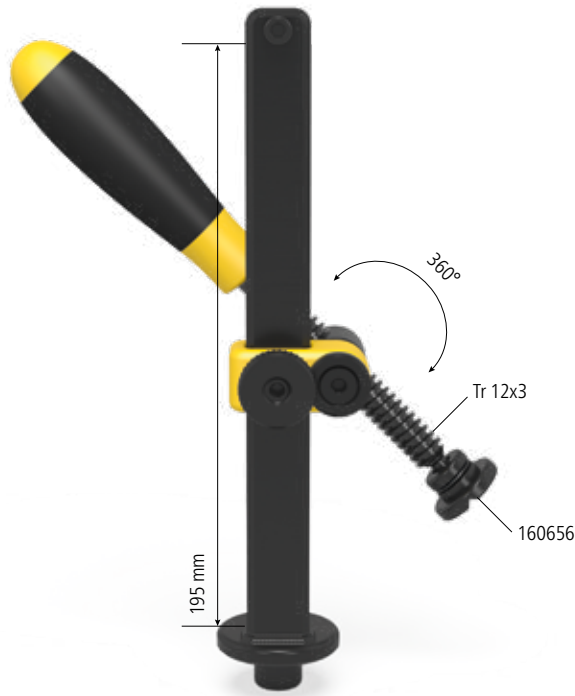
**Spare parts, special sizes and parts for a individual configuration**

<b>Threaded Arbor</b> - for 160610, 160630, 160620, 160601, 160604 - trapezoid thread 12 x 3 mm	75 mm 2-160634.3	90 mm 2-160634.1
<b>Horizontal Bar</b> - for 160610, 160601 - without Bushing 160618.1, please order separately		150 mm 2-160643
<b>Vertical Bar</b> - for 160610, 160620		200 mm 2-160632
<b>Thread Bushing</b> - for 160610, 160601 - Acme trapezoidal thread 12 x 3 mm for system 16 screw clamp arbor - burnished		15 mm 2-160618.1
<b>Cast Iron Cross</b> - for 160606, 160610 - without handwheel		42 mm 2-160617
<b>Handwheel for Cast Iron Cross</b> - for 160606, 160610, 160630		17 mm 2-160662

● = Item produced for stock; ○ = Item produced on order; Explanations see page 84



## Professional Screw Clamp 45°/90°



### Description:

Professional Screw Clamp 45°/90°, replaces standard screw clamps with 45° or 90°. It sets new standards due to its infinitely variable adjustment range from 0°-360°.

To ensure safe fastening of any welding element, the prisms are interchangeable. For suitable prisms, see page 710.

The dimensions of the appropriate flat bar are 20x13 mm.

The new handwheel on the cast iron cross enables height adjustment within seconds.



160630



160630.S

Standard model	maximum load:	Weight:	Item No.
Professional Screw Clamp	2,5 kN	0,75 kg	2-160630 ●
Professional Screw Clamp special size			2-160630.S ○

● = Item produced for stock; ○ = Item produced on order; Explanations see page 84

Standard model 160630:  
consisting of 1x 160634.1, 1x 160633, 1x 169108, 1x 160617.2, 1x 160662, 1x 169109, 1x 160656



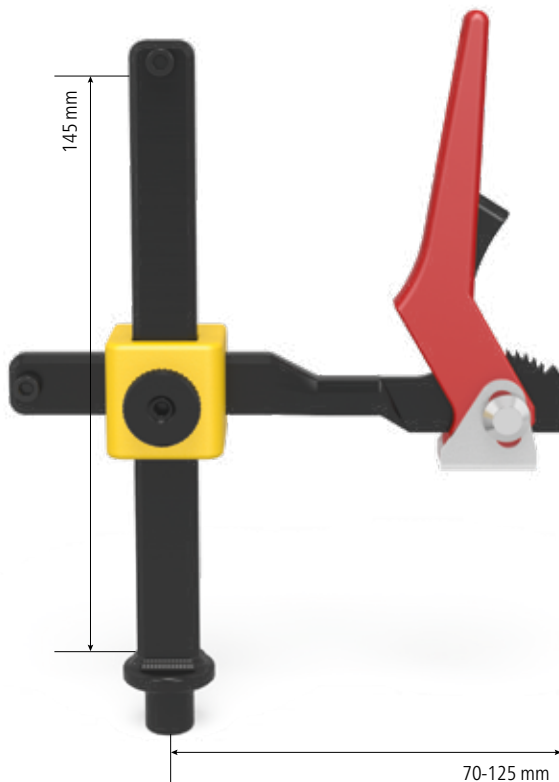
Spare parts, special sizes and parts for a individual configuration		
<b>Threaded Arbor</b> - for 160610, 160630, 160620, 160601, 160604 - trapezoid thread 12 x 3 mm	75 mm 2-160634.3 ●	90 mm 2-160634.1 ●
<b>Vertical Bar</b> - for 160630		200 mm 2-160633 ●
<b>Bushing for Threaded Arbor</b> - for 160630		36 mm 2-169108 ●
<b>Cast Iron Cross</b> - for 160630 - without handwheel		44 mm 2-160617.2 ●
<b>Handwheel for Cast Iron Cross</b> - for 160606, 160610, 160630		17 mm 2-160662 ●
<b>Disc for Cast Iron Cross</b> - for 160630 - with countersunk screw M6x20		10 mm 2-169109 ●

● = Item produced for stock; ○ = Item produced on order; Explanations see page 84





## Professional Fast Tension Clamp



### Description:

Professional Fast Tension Clamp, used to clamp welding parts quickly and powerfully. The force can be individually adjusted with the grating. With the new handwheel on the cast iron cross, it is height-adjustable within seconds. The dimensions of the applied flat irons are 20x10 mm and 20x13 mm. Additionally the vertical bar is reinforced.

The Fast Tension Clamp is recommended only for system 16 plasmanitrated tables.



160606

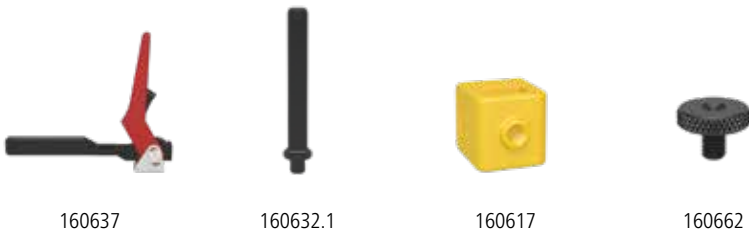


160606.S

Standard model	maximum load:	Weight:	Item No.
Professional Fast Tension Clamp	2,5 kN	0,90 kg	2-160606 ●
Professional Fast Tension Clamp special size			2-160606.S ○

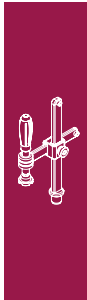
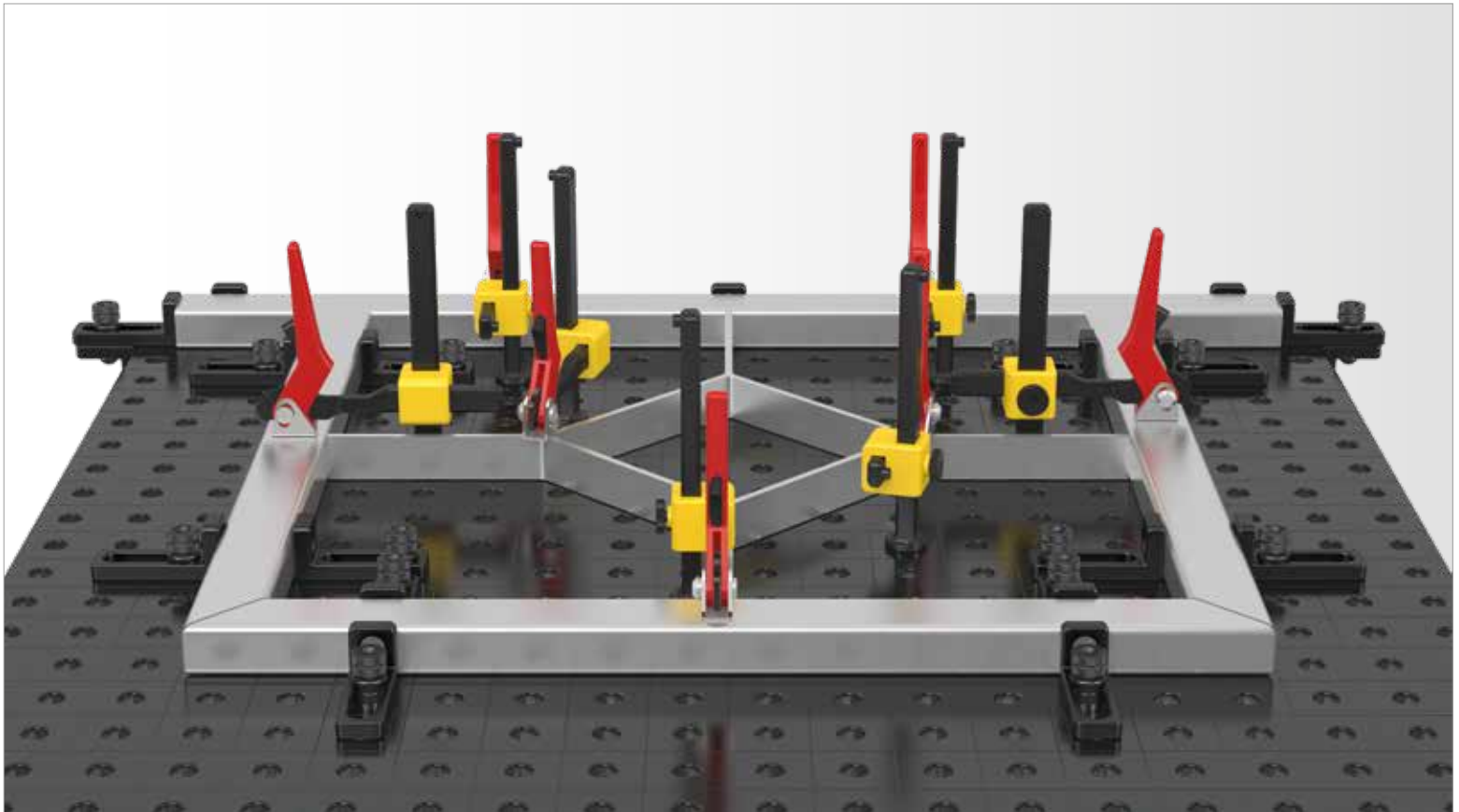
● = Item produced for stock; ○ = Item produced on order; Explanations see page 84

Standard model 160606:  
consisting of 1x 160637, 1x 160632.1, 1x 160617, 1x 160662

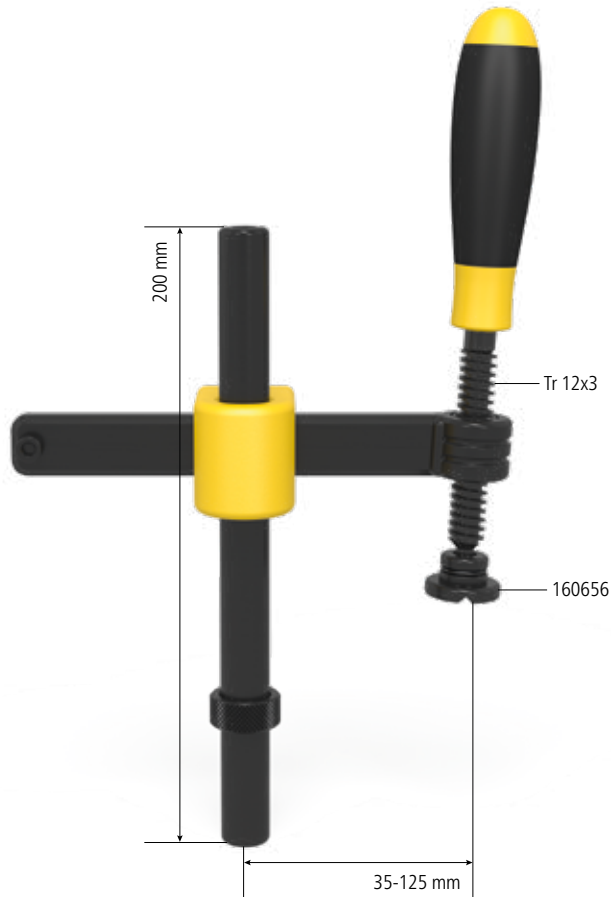


Spare parts, special sizes and parts for an individual configuration	
<b>Horizontal Bar with Fast Clamping Function</b> - for 160606	100 mm ● 2-160637
<b>Vertical Bar</b> - for 160606	150 mm ● 2-160632.1
<b>Cast Iron Cross</b> - for 160606, 160610 - without handwheel	42 mm ● 2-160617
<b>Handwheel for Cast Iron Cross</b> - for 160606, 160610, 160630	17 mm ● 2-160662

● = Item produced for stock; ○ = Item produced on order; Explanations see page 84



## Screw Clamp with Round Pipe



### Description:

Screw Clamp with Round Pipe is the tool that offers fast, powerful clamping and precise positioning of a variety of work pieces. Time-saving adjustments within seconds and simple dismantling guarantee maximum efficiency. For individual fitting, we offer special sizes of horizontal and vertical bars. In order to safely fasten different welding elements, the prisms are interchangeable. For compatible prisms, see page 710.

A long lifetime and efficiency is guaranteed by the burnished material, as well as the option to order replacement parts individually.

Suitable for simple clamping applications (see max. load).



160601



160601.S

Standard model	maximum load:	Weight:	Item No.
Screw Clamp with Round Pipe	1,5 kN	1,00 kg	2-160601 ●
Screw Clamp with Round Pipe special size			2-160601.S ○

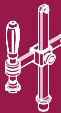
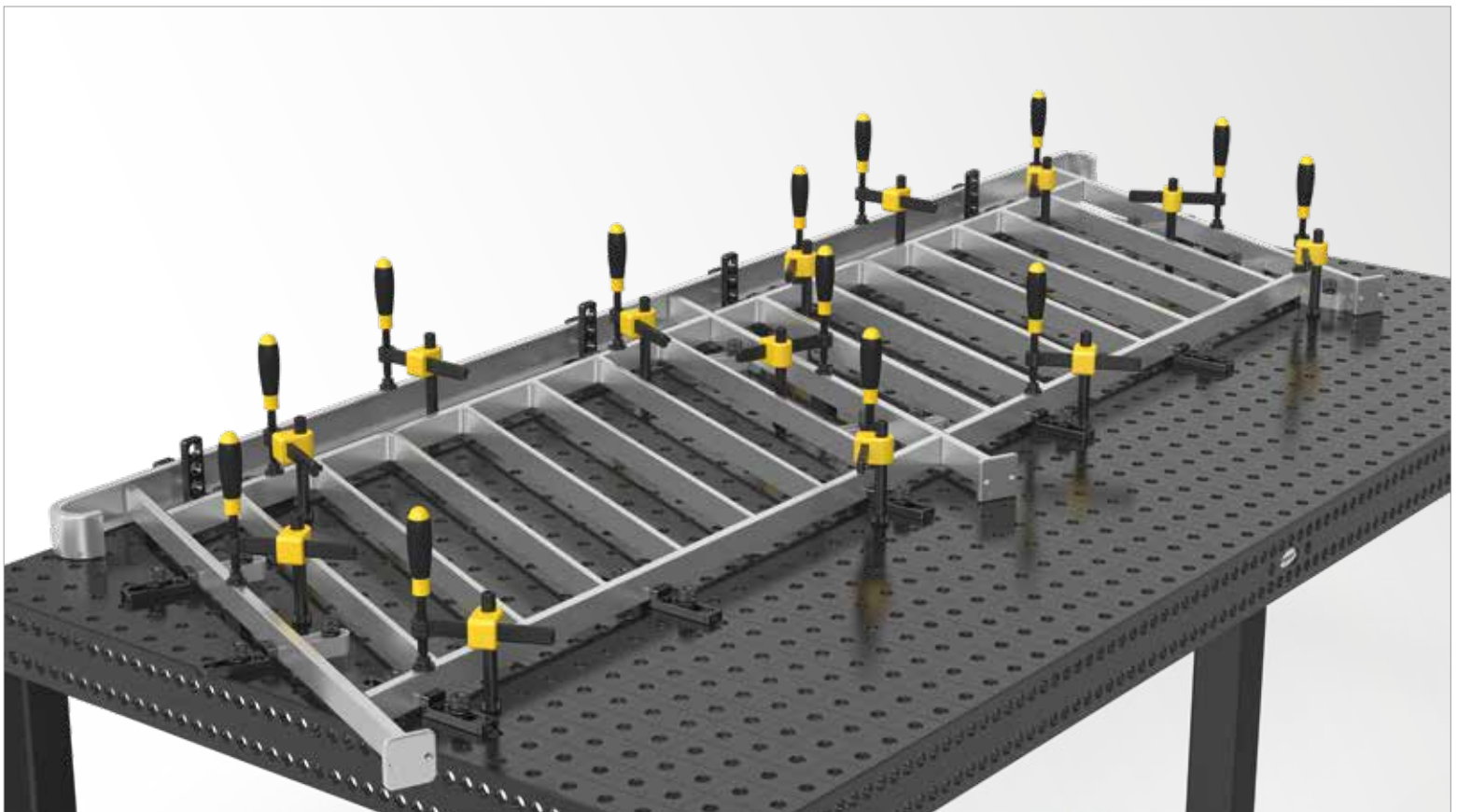
● = Item produced for stock; ○ = Item produced on order; Explanations see page 84

Standard model 160601:  
consisting of 1x 160634.3, 1x 160643, 1x 160642, 1x 160618.1, 1x 160617.4, 1x 160653, 1x 160656

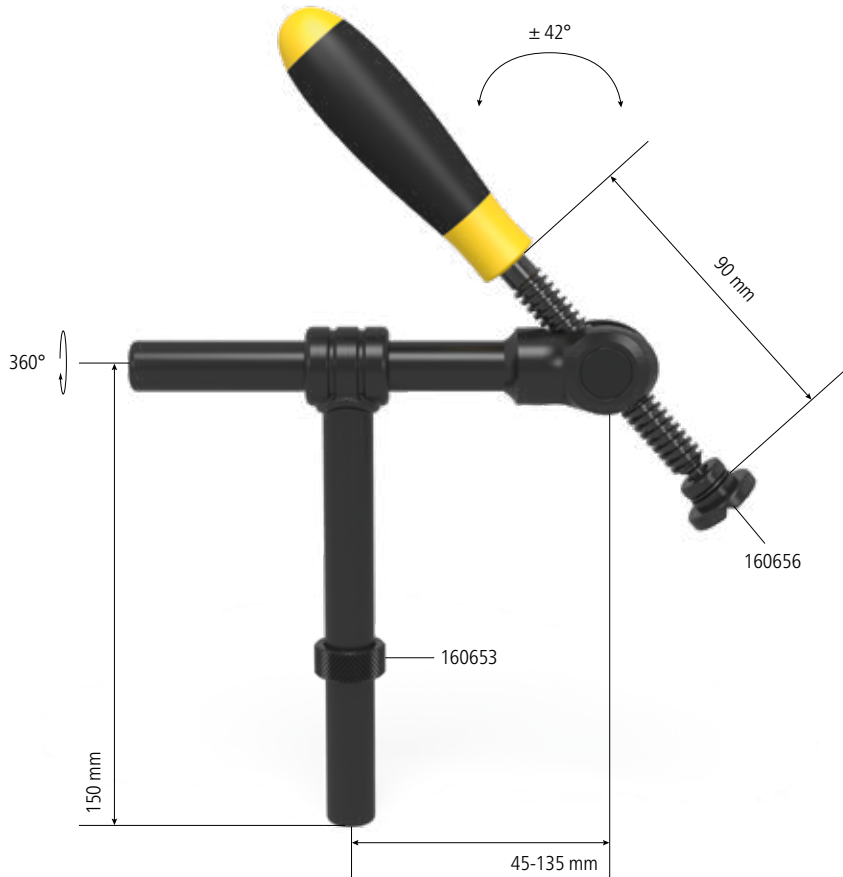


Spare parts, special sizes and parts for a individual configuration		
<b>Threaded Arbor</b> - for 160610, 160630, 160620, 160601, 160604 - trapezoid thread 12 x 3 mm	75 mm 2-160634.3 ●	90 mm 2-160634.1 ●
<b>Horizontal Bar</b> - for 160610, 160601 - without Bushing 160618.1, please order separately		150 mm 2-160643 ●
<b>Vertical Round Pipe</b> - for 160601		200 mm 2-160642 ●
<b>Thread Bushing</b> - for 160610, 160601 - Acme trapezoidal thread 12 x 3 mm for system 16 screw clamp arbor - burnished		15 mm 2-160618.1 ●
<b>Cast Iron Cross</b> - for 160601 - without handwheel		50 mm 2-160617.4 ●
<b>Adjusting Ring</b> - for 160601, 160604		2-160653 ●

● = Item produced for stock; ○ = Item produced on order; Explanations see page 84



## Basic Pipe Clamp Universal



### Description:

Pipe Clamp Universal, with swiveling Arbor enables flexible clamping at a + / - 42 degree angle. This Pipe Clamp combines the advantages of conventional 45° or 90° clamps. It can be used at an angle as well as straight, resulting in additional clamping options and a more variable clamping range.

The horizontal round tube with a length of 150 mm is fully adjustable and creates, combined with the swiveling arbor, a variable clamping range. The length of the vertical pipe is 150 mm. To safely fasten different welding parts, the prisms are interchangeable.

For compatible prisms, see page 710. A long lifetime and efficiency is guaranteed by the burnished material, as well as the option to order replacement parts individually.

To integrate the vertical pipe into the system bore holes, an adjusting ring is used (Item No. 160653).



160604



160604.S

Standard model	maximum load:	Weight:	Item No.
Pipe Clamp Universal	0,6 kN	0,80 kg	2-160604 ●
Pipe Clamp Universal special size			2-160604.S ○

● = Item produced for stock; ○ = Item produced on order; Explanations see page 84

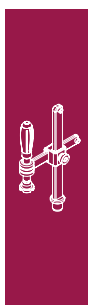
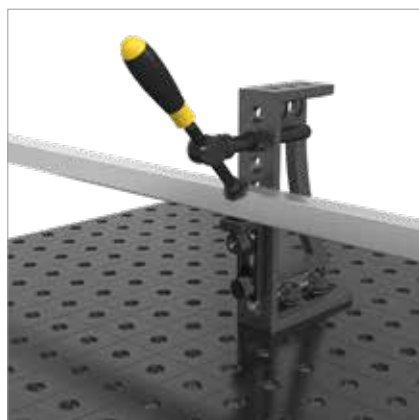
Standard model 160604:  
consisting of 1x 160634.1, 1x 160678, 1x 160677, 1x 160679, 1x 160653, 1x 160656



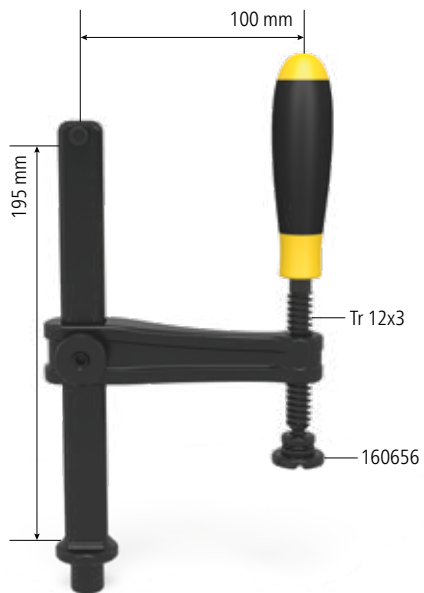


Spare parts, special sizes and parts for a individual configuration		
<b>Threaded Arbor</b> - for 160610, 160630, 160620, 160601, 160604 - trapezoid thread 12 x 3 mm	75 mm 2-160634.3	90 mm 2-160634.1
<b>Horizontal Round Pipe</b> - for 160604	150 mm 2-160678	special size 2-160678.S
<b>Vertical Round Pipe</b> - for 160604 - can also be used as a horicontal brace.	150 mm 2-160677	special size 2-160677.S
<b>Arbor Thread</b> - for 160604		28 mm 2-160679
<b>Adjusting Ring</b> - for 160601, 160604		2-160653

● = Item produced for stock; ○ = Item produced on order; Explanations see page 84



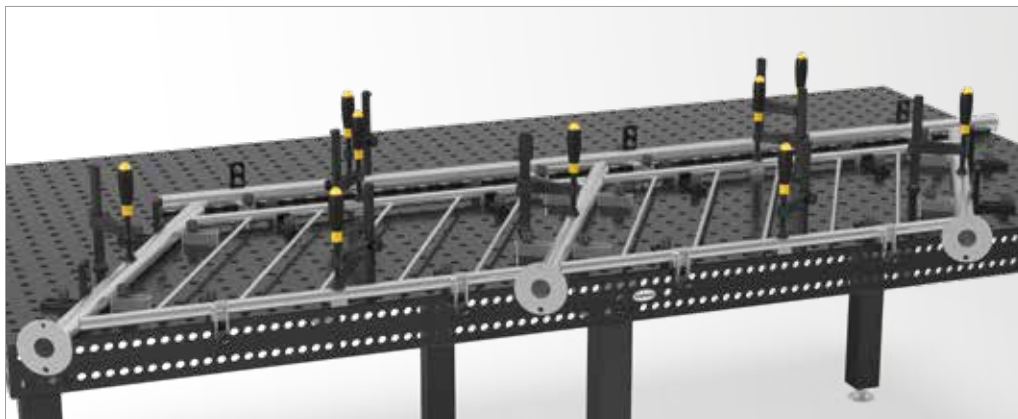
## Basic Screw Clamp



160620

### Description:

Basic Screw Clamp, serves as a simple and sturdy clamping element. The distance between the Screw Clamp and the welding element is adjustable by rotation. By simply changing the prisms, different materials can be fastened. For compatible prisms see page 710.



	Width: (b)	Height: (c)	maximum load	Weight:	Item No.
<b>Basic Screw Clamp</b> - burnished	128 mm	200 mm	2,5 kN	0,95 kg	2-160620 ●

● = Item produced for stock; ○ = Item produced on order; Explanations see page 84

**Short Arbor**

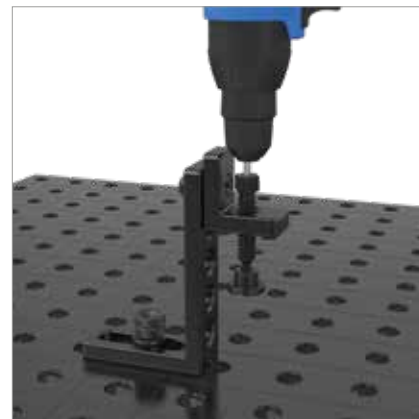
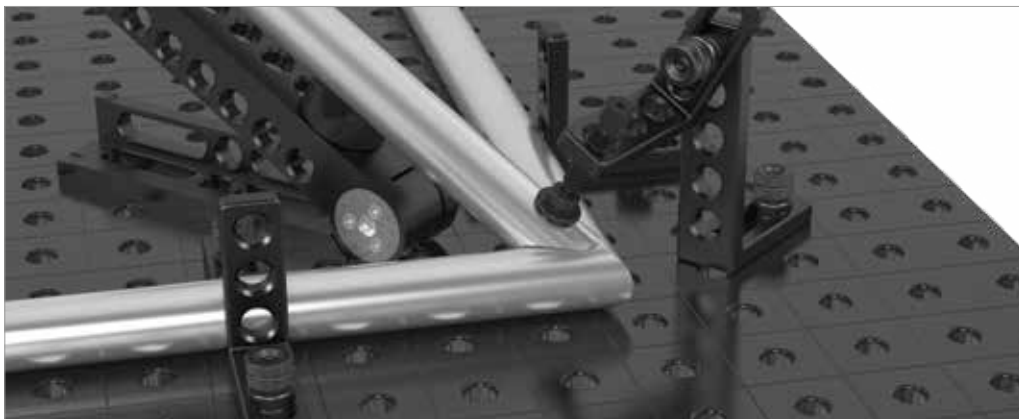
**Description:**

Short Arbor with Bushing and Prism, perfect for clamping workpieces, using squares or other Siegmund components. The Short Arbor was designed to enable fastening a workpiece through a 16 mm bore hole. The Short Arbor can be adjusted with an open-end wrench or an allen key.



160666

160618



	Height: (c)	Ø: (o)	Weight:	Item No.
<b>Short Arbor with Bushing and Prism</b> - burnished - trapezoid thread 12 x 3 mm	75 mm		0,10 kg	2-160666 ●
<b>Thread Bushing</b> - burnished - trapezoid thread 12 x 3 mm	10 mm	19 mm	0,01 kg	2-160618 ●

● = Item produced for stock; ○ = Item produced on order; Explanations see page 84

## Prism for Screw Clamps

### Description:

Prism for Screw Clamps, suitable for clamping of round and square pipes. Due to its location at the ball head of the threaded arbor, the prism is movable and can therefore be fixed precisely on the workpiece. It is replaced by simply taking it off the ball head.

The Prism is available in various material finishes. The Polyamid Prism is used for scratch-prone surfaces. The Stainless Steel Prism is used for scratch-resistant precious metals (rust prevention).



160656



160656.E



160656.PA



	Height: (c)	Ø: (o)	Weight:	Item No.
<b>Prism for Screw Clamps</b> - burnished / nitrided - for Arbor with Trapezoid thread 12 x 3 mm	14 mm	25 mm	0,02 kg	2-160656 ●
<b>Prism for Screw Clamps</b> - Stainless Steel - for Arbor with Trapezoid thread 12 x 3 mm	14 mm	25 mm	0,02 kg	2-160656.E ●
<b>Prism for Screw Clamps</b> - Polyamide - for Arbor with Trapezoid thread 12 x 3 mm	14 mm	25 mm	0,01 kg	2-160656.PA ●

● = Item produced for stock; ○ = Item produced on order; Explanations see page 84

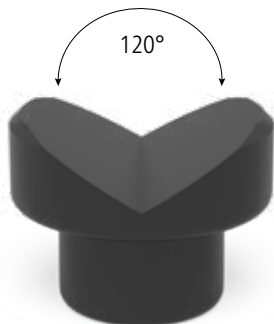
## Duo Prism Ø 25 for Screw Clamps

### Description:

Duo Prism - due to its dual function compatible with all 16 mm bore holes and screw clamps. The 120° angle creates a stable support surface for all round pipes. The Prism can also be used for flat welding assemblies, due to its leveled corners.

The Polyamid Prism is used for scratch-prone surfaces.

The prism polyamide is only suitable for use as a prism for screw clamps.



160650



160650.PA



160650.A



	Height: (c)	Ø: (o)	Weight:	Item No.
<b>Duo Prism Ø 25</b> - burnished / nitrided - for Arbor with Trapezoid thread 12 x 3 mm - without O-Ring	19 mm	25 mm	0,04 kg	2-160650 •
<b>Duo Prism Ø 25</b> - Polyamide - for Arbor with Trapezoid thread 12 x 3 mm - without O-Ring	PA 19 mm	25 mm	0,01 kg	2-160650.PA •
<b>Duo Prism Ø 25</b> - Aluminum - for Arbor with Trapezoid thread 12 x 3 mm - without O-Ring	ALU 19 mm	25 mm	0,01 kg	2-160650.A •

● = Item produced for stock; ○ = Item produced on order; Explanations see page 84



## Pressure Ball for Screw Clamps

### Description:

Pressure Ball for Screw Clamps, especially designed for clamping in corners or grooves. Due to its location at the ball head of the threaded arbor, the prism is movable, and can therefore be precisely mounted to the work piece.

It can be replaced by simply removing it from the ball head.

The Pressure Ball is available in various materials. The polyamide Pressure Ball is used for scratch-prone surfaces. The stainless steel Pressure Ball is used for scratch-resistant metals (rust prevention).



160660



160660.E



160660.PA



160661





	Height: (c)	Ø: (o)	Weight:	Item No.
<b>Pressure Ball for Screw Clamps</b> - burnished - for Arbor with Trapezoid thread 12 x 3 mm	13 mm	20 mm	0,02 kg	2-160660 ●
<b>Pressure Ball for Screw Clamps</b> - Stainless Steel - for Arbor with Trapezoid thread 12 x 3 mm	13 mm	20 mm	0,02 kg	2-160660.E ●
<b>Pressure Ball for Screw Clamps</b> - Polyamide - for Arbor with Trapezoid thread 12 x 3 mm	PA 13 mm	20 mm	0,01 kg	2-160660.PA ●
<b>Pressure Ball Blank for Screw Clamps</b> - burnished - trapezoid thread 12 x 3 mm - according to customer specifications	25 mm	25 mm	0,07 kg	2-160661 ●

● = Item produced for stock; ○ = Item produced on order; Explanations see page 84

